

# Data Sheet

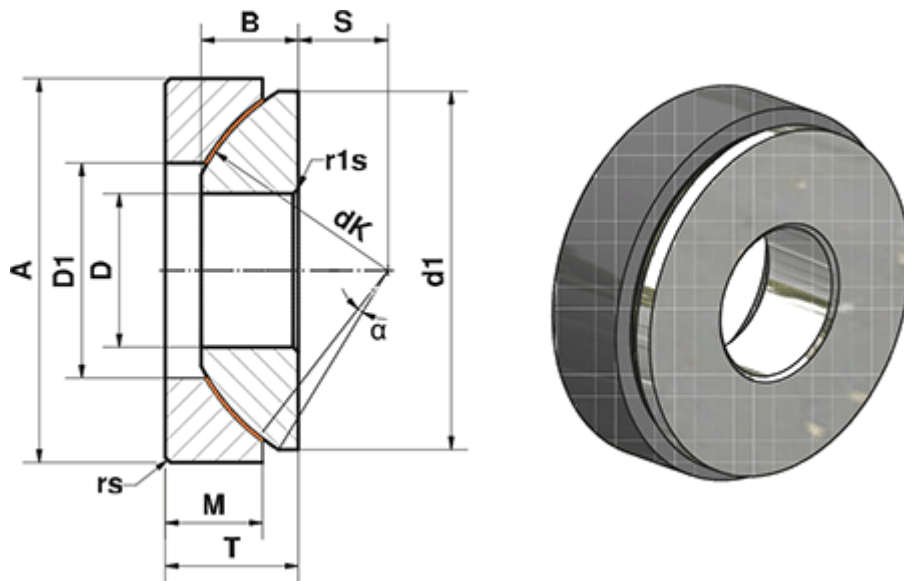


Article number: 03450040

Description: Fluro Heavy Duty Spherical Plain Bearing GE 40 AWE  
Hole  $\varnothing 40$

Note: 40

## Measures



A	= 105	M	= 21.5
a (degrees)	= 6	rs, r1s min	= 1
B	= 27	S	= 24.5
D	= 40	Static load C0 (kN)	= 1789
D1	= 59.5	T	= 32
d1 min	= 97	Weight (g)	= 1590
dK	= 114		
Dynamic load C (kN)	= 1073		